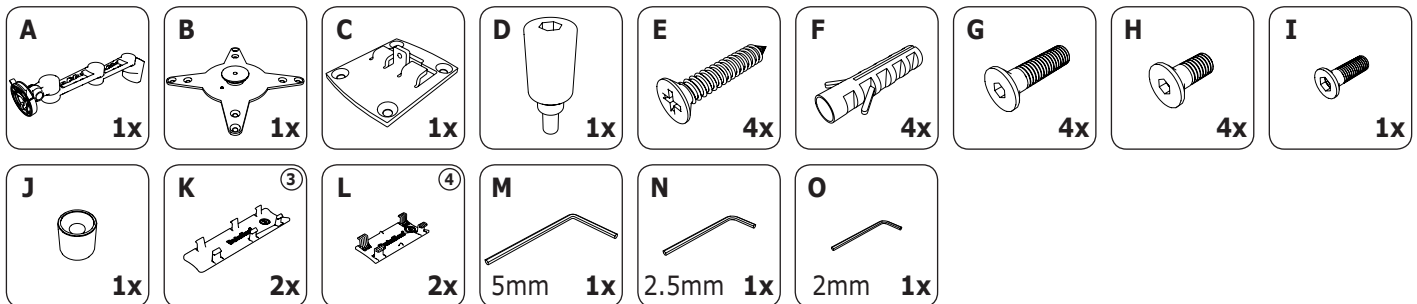


58.222

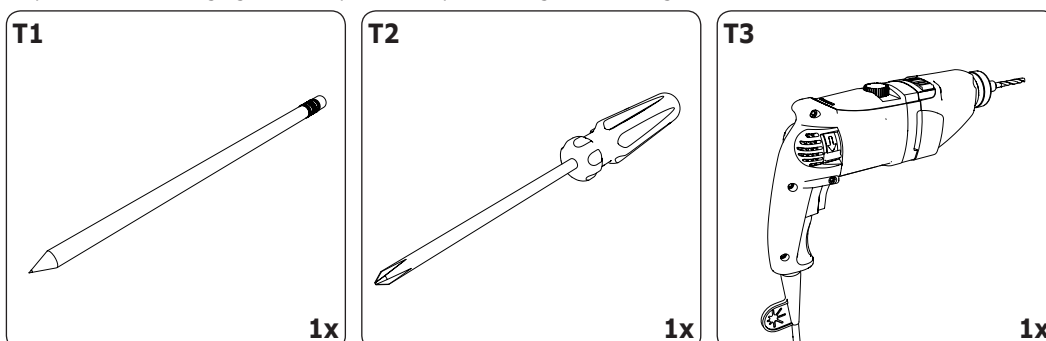
ViewLite 222

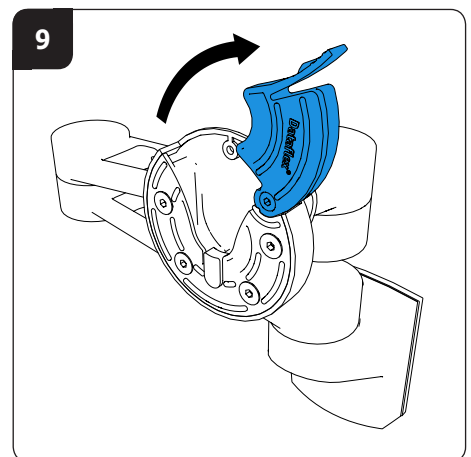
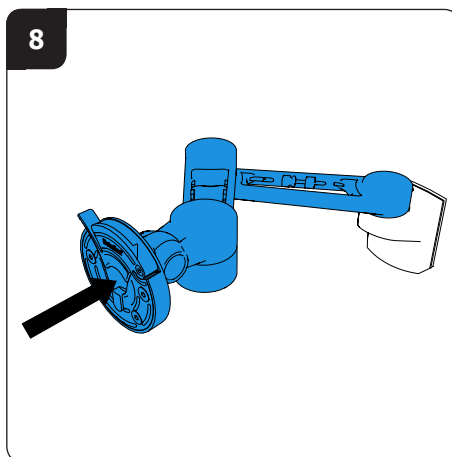
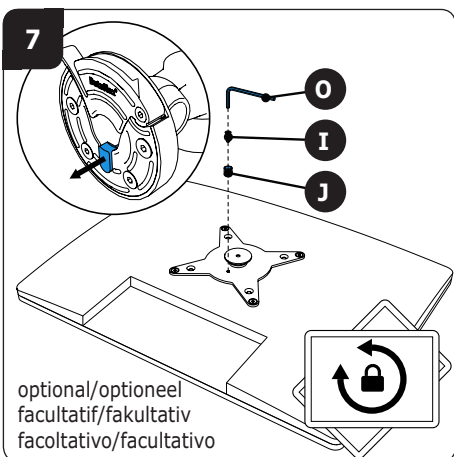
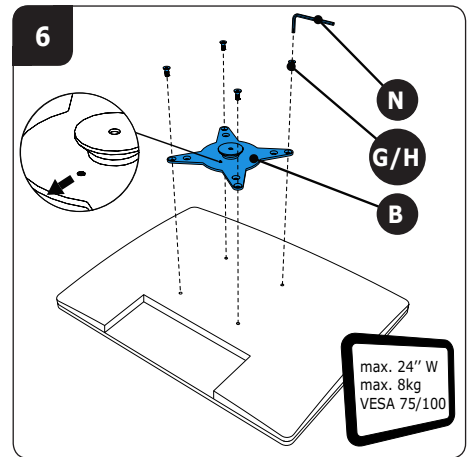
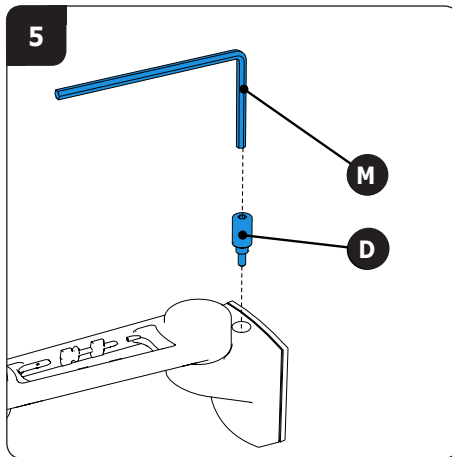
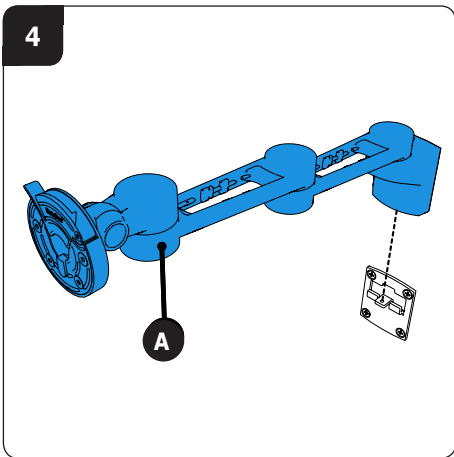
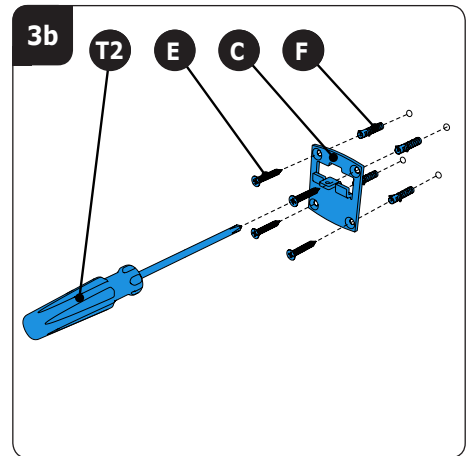
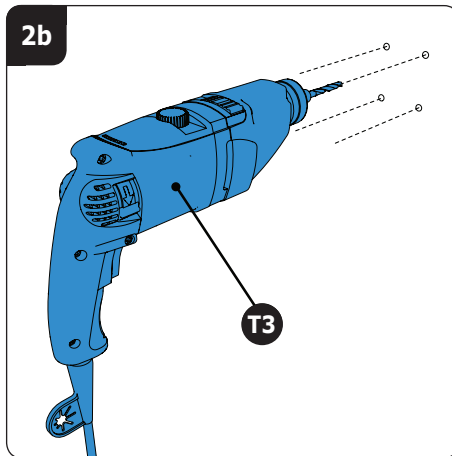
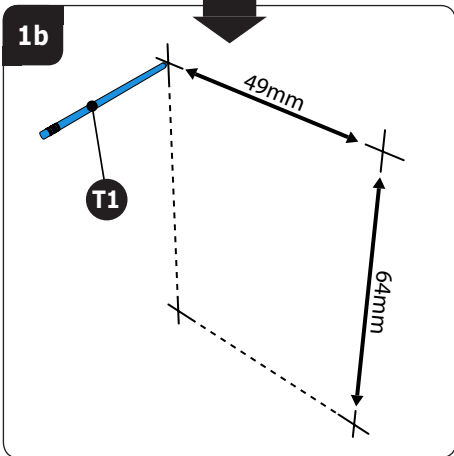
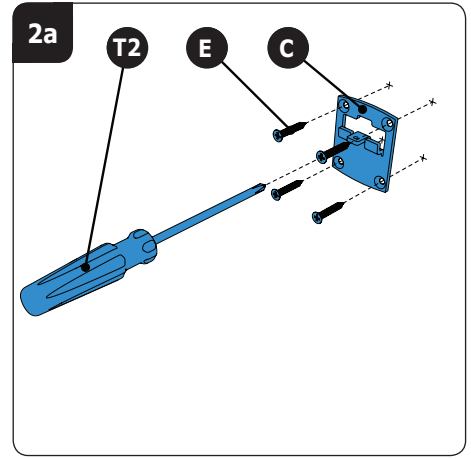
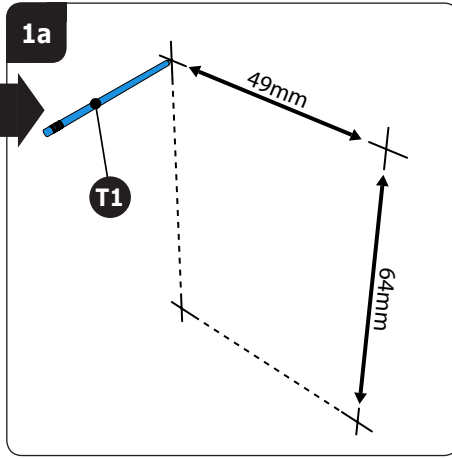
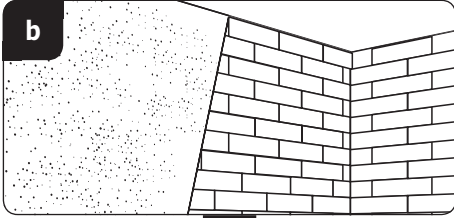
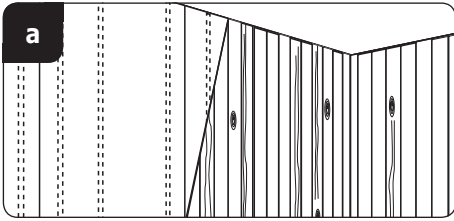
Installation manual / Installatie handleiding
 Manuel d'installation / Installations-handbuch
 Manuale d'installazione / Manual de instalación

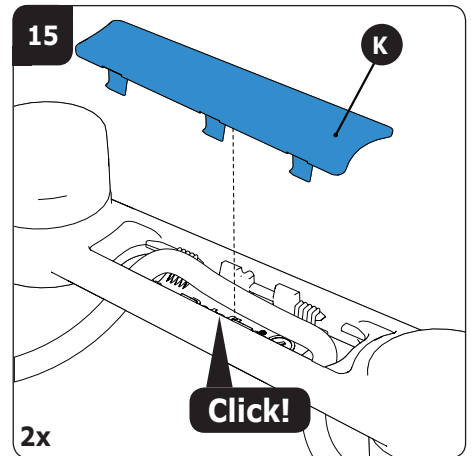
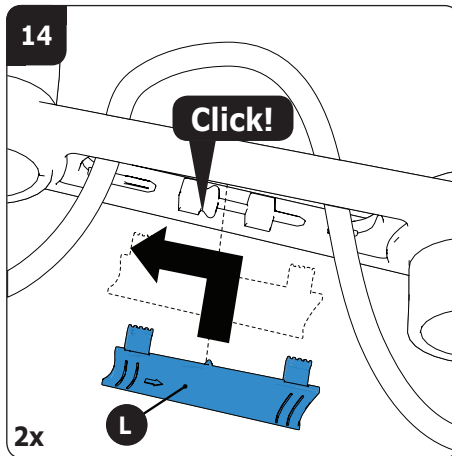
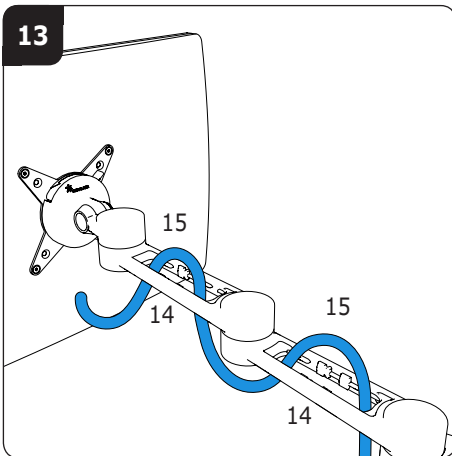
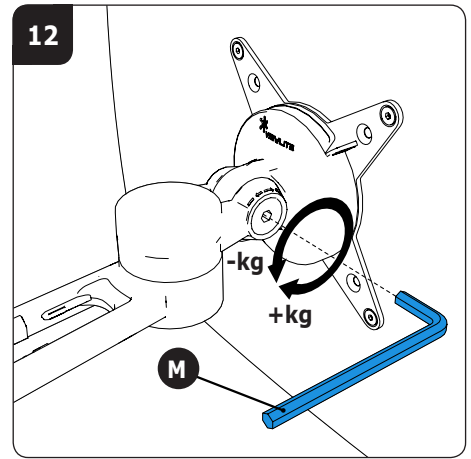
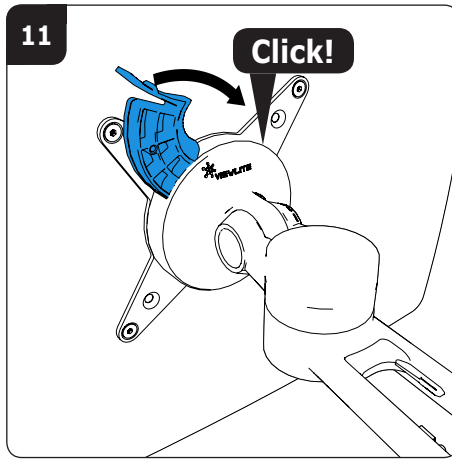
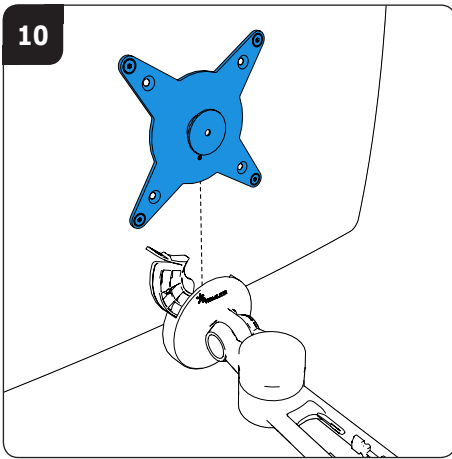
Parts/Onderdelen/Pièces/Teile/Parti/Partes



Required tools/Benodigd gereedschap/Outils requis/Benötigtes Werkzeug/Strumenti necessari/Herramientas necesarias









Dataflex International BV
P.O. Box 713
2920 CA Krimpen a/d IJssel
The Netherlands

info@dataflex-int.com

Copyright © 2014 - Dataflex International BV, The Netherlands



Dataflex International BV is certified ISO 9001:2008

www.dataflex-int.com